

## **SUPERVISION AND CONTROL SOFTWARE**

### **SWB**

cod. 6600-300010

Extremely easy to use, with modern user-friendly graphics, it allows for complete management of rooms and common areas in terms of alarms, signalling messages, reset, temperature, full-duplex handsfree conversation and technological controls. It is provided with historical database to record and print all events (alarms, signalling messages, anomalies, accesses, etc.). It is prearranged for management of additional workstations and can be interfaced with PBX telephone system to send alarm signals to cordless telephone and page staff.

## **MEGA-RSA ROOM MANAGEMENT SOFTWARE**

### **SWG-H**

**SWG-H25** cod. 6300-181025  
Room management software from 1 to 25 rooms

**SWG-H50** cod. 6300-181050  
Room management software from 26 to 50 rooms

**SWG-H75** cod. 6300-181075  
Room management software from 51 to 75 rooms

**SWG-H100** cod. 6300-181100  
Room management software from 76 to 100 rooms

**SWG-H150** cod. 6300-181150  
Room management software from 101 to 150 rooms

**SWG-H200** cod. 6300-181200  
Room management software from 151 to 200 rooms

**SWG-H250** cod. 6300-181250  
Room management software from 201 to 250 rooms

**SWG-H500** cod. 6300-181500  
Room management software from 251 to 500 rooms

**SWG-H1000** cod. 6300-181999  
Room management software from 501 to 1000 rooms

## **SOFTWARE INTERFACE FOR CORDLESS TELEPHONES**

### **SW / C**

cod. 6300-182000

It allows to send calls and warnings from MEGA-RSA system to staff cordless telephones; this way, they can be promptly informed also when they are far from the control station.

# IMPORTANT NOTICE

The UGC-H control unit is mounted in DIN rail and takes 9 modules. It must be powered at 12Vac with 15VA transformer. An independent transformer must be used for each control unit, connected to dedicated electrical line with on-line UPS.

**Always disconnect power supply before making electrical connections.**

Temperature sensors must be installed in dedicated boxes at approx. 1.5 m from the floor, in a place protected from sunlight and away from air draughts or heat sources (i.e. doors, windows, perimeter walls, etc.). Do not install it above the thermostat panel because it generates heat.

Connection cables of the input devices (such as temperature sensors, magnetic contacts, buttons, jack sockets, etc.) must not exceed 20 m in length.

Radiator or fan-coil valves must be of ON/OFF type. Valve controls must be provided with 220Vac voltage. The electrothermal model must be of NC type, i.e. with control mounted on the valve and not powered, the water flow must be blocked.

Use a good-quality crimping tool to crimp PLUG connectors and check them with suitable cable tester. The cable length must not exceed 15 metres.

It is recommended to install a 1.6A delayed fuse between the relay output contact and the load to protect the control unit.

**We recommend keeping signal lines (data BUS, inputs, etc.) separate from power lines.(BUS dati, ingressi, ecc.)**

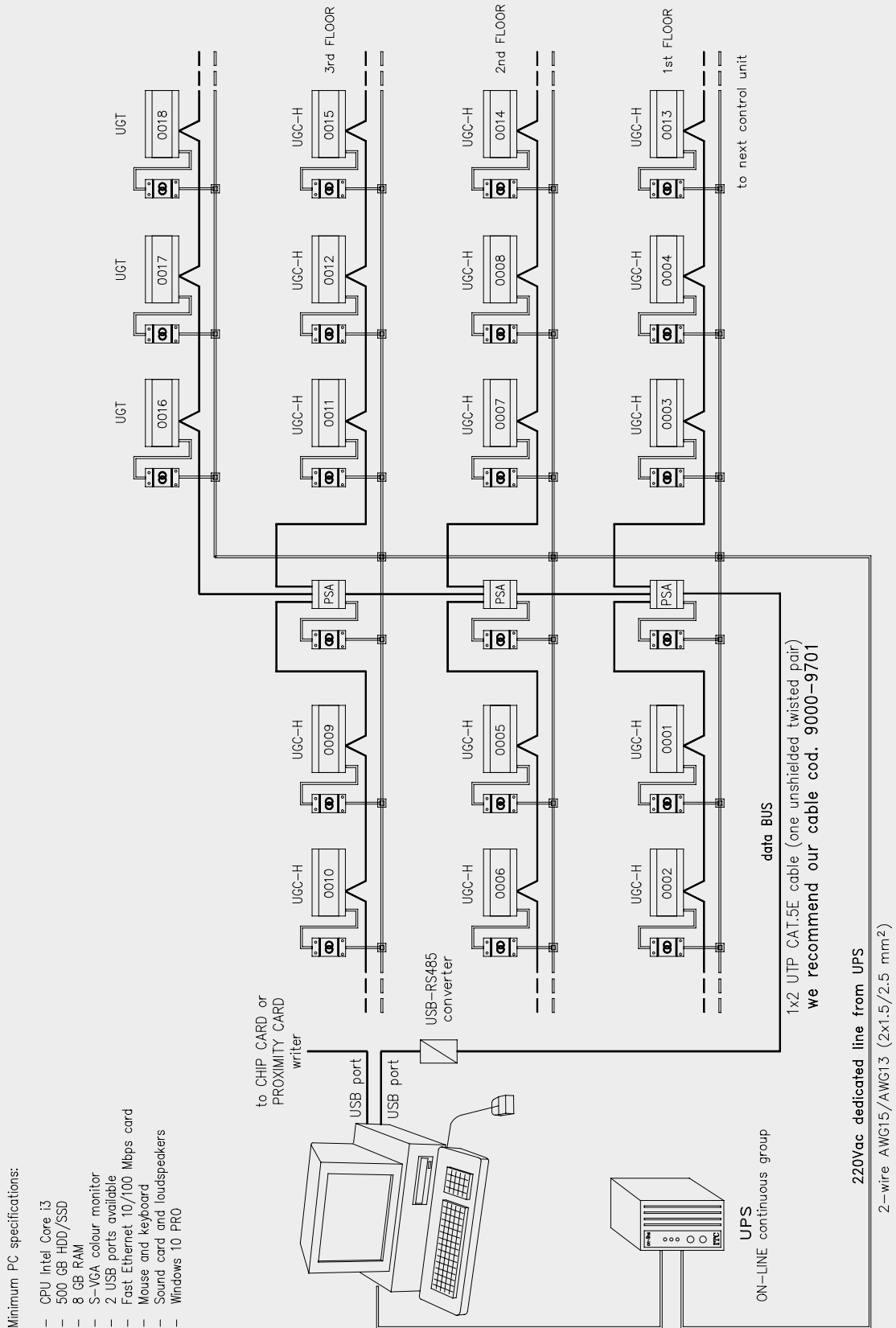
The minimum requirements of the PC used to control the installation are as follows:

- Operating system: Windows 7 professional or Windows 10 Pro.
- Intel i3 CPU
- 2500 GB hard disk
- 4 GB Ram
- S-VGA colour monitor
- 2 USB ports dedicated to MEGA system + 2 additional USB ports available
- Fast Ethernet 10/100 Mbps network board with Internet access, for potential remote assistance
- If you implement an interface with an air-conditioning system, we recommend a second dedicated Ethernet network board
- Mouse and keyboard
- Audio board and speakers

**For correct operation the PC must be always on and must be dedicated to MEGA-RSA system.**

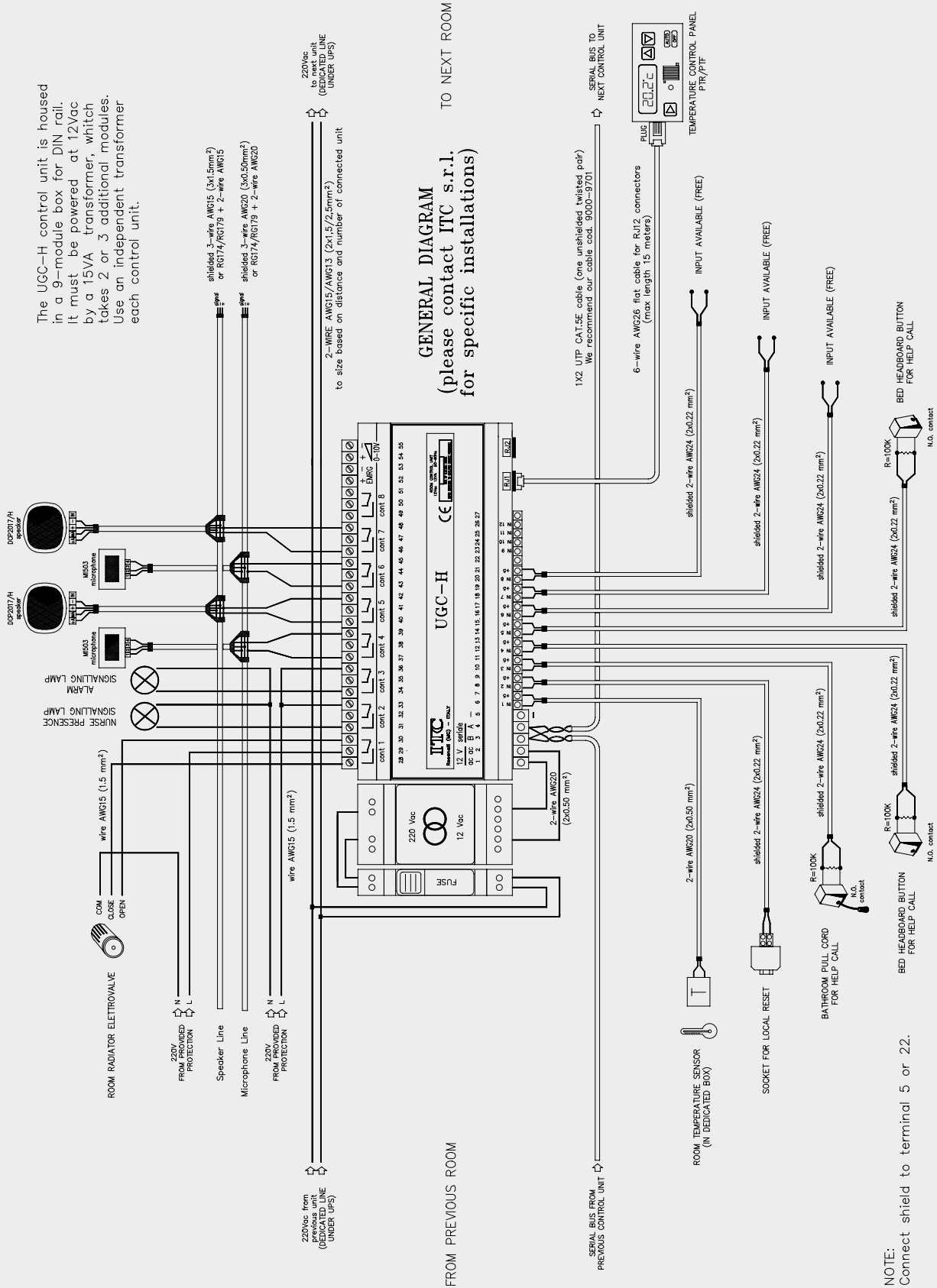
The control software works at 800x600 pixel resolution.

# BUS AND POWER SUPPLY CONNECTION DIAGRAM



# MULTI-WIRE ROOM DIAGRAM

The UGC-H control unit is housed in a 9-module box for DIN rail. It must be powered at 12Vac by a 15VA transformer, which takes 2 or 3 additional modules. Use an independent transformer each control unit.



## GENERAL DIAGRAM (please contact ITC s.r.l. for specific installations)

TO NEXT ROOM

FROM PREVIOUS ROOM

NOTE:  
Connect shield to terminal 5 or 22.